

# Panasonic

# AIR CURTAINS

Invisible door isolates cooling or heating of the store from outside and assures dust-proof, deodorizing and insect-resistant characteristics.

90cm Type - FY-10ESP



120cm Type - FY-10ELP



# UNIQUE SIROCCO FAN PROVIDES AN EFFECTIVE, AMPLY SIZED AND POWERFUL AIR DOOR.

- Simplified installation; either wall-hung, or suspended from the ceiling of a room.
- Air deflection vents easily adjust air flow direction.
- Two-speed changeover (HI, LO and OFF) is available with a push-button switch provided in the unit.
- Attractive modern design enhances installation placement in any location.

## Four effects of Air Curtain

### Heating/cooling retention effect



### Deodorizing effect



### Dust-proof effect



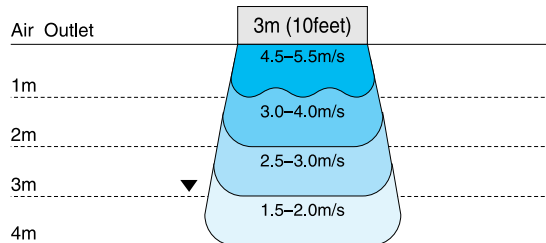
### Insect-resistant effect



Outside wind, air flow from air conditioners, ventilator use, etc., may significantly lower the shielding effectiveness. The effectiveness against insects depends largely on the kind of insect, surrounding environment, air velocity of the air curtain, etc. If more effective insect prevention is required, use the air curtain in combination with other methods.

## Selection

• Efficient distance



FY-10ESP • FY-10ELP

The above data shows maximum velocity at HI speed 50Hz

The above velocity characteristics were measured in a testing room free from the influence of surrounding walls and outside wind.

## Specifications

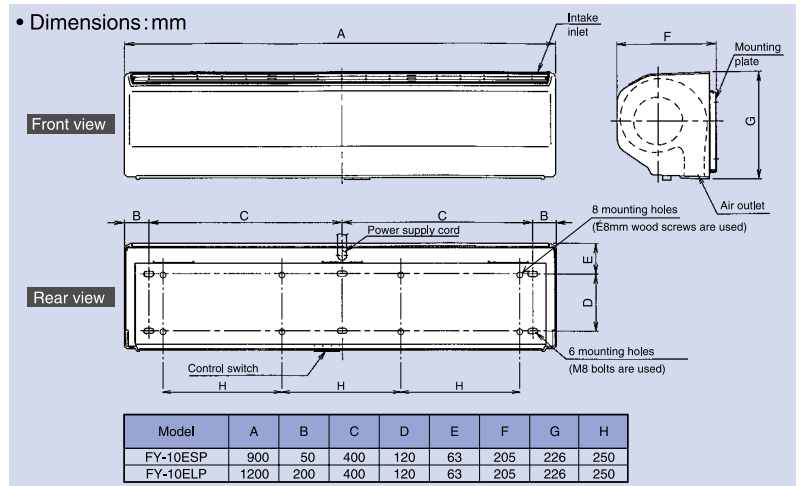
Model	Length (mm)	Frequency (Hz)	Input (W)		Current (A)		Outlet Velocity (m/s)		Air Volume (l/s)		Noise dB(A)		Weight (kg)
			High	Low	High	Low	High	Low	High	Low			
FY-10ESP	900	50	71.5	61.5	0.40	0.29	13.0	11.1	208	175	46	42	12
FY-10ELP	1200	50	96	74	0.54	0.35	13.1	11.0	275	230	46	42	14

Note: The values in specification tables are representative characteristic value at 220V 50/60Hz.

The noise values were measured at an angle of 45° below the air outlet, from a distance of 1.5 meters inside the room.

The outlet velocity shows maximum value.

### • Dimensions : mm



# Panasonic

Panasonic Australia Pty. Limited.  
ACN 001 592 187 ABN 83 001 592 187

HO/NSW Austlink Corporate Park, 1 Garigal Road,  
Belrose NSW 2085  
Ph: (02) 9986 7400 Fax: (02) 9986 7600

### Distributed By

NSW	Panasales	02 9756 5056
QLD	Panasales	07 3266 5200
VIC	Turner Engineering	03 9544 7599
SA	Industrial Air	08 8354 0088
WA	Turner Engineering	08 9354 9599

**Panasonic**  
**Customer**  
**Care**  
**Centre**  
**132600**

For further information  
or location of your  
nearest Panasonic  
stockist please  
telephone Panasonic's  
Customer Care Centre  
on 132 600

Specifications are subject to change without notice. While every effort has been made to represent product colours accurately, slight variation may occur due to the printing process.

Visit our website at: <http://www.panasonic.com.au>. or email our Customer Care Centre on [pacc@panasonic.com.au](mailto:pacc@panasonic.com.au)