

HIDE-AWAY TYPE

INVERTER

8.0 HP



Indoor unit
CS-L72JD1R5



Outdoor unit
CU-L72JD1R8

Features

- Inverter Control
- Auto Restart
- Wide Operation Temperature
Cooling operation range = -10°C ~ 46°C
Heating operation range = -10°C ~ 24°C
- Auto Changeover
- Long Piping and High Elevation Piping
- Two Thermistor Control
- Child Lock Function
- Microcomputer Control
- Condenser Fin Guard
- Self-Diagnosis Function
- Test Run Mode

Specifications

Items	Cooling Capacity	Heating Capacity	Power Source	Current	Power Input	EER COP	External Static Pressure	Noise Level		Dimensions		Net Weight		Piping Connection		Pipe Length		Operation Range (Outdoor)
								Sound Pressure Level		Indoor	Outdoor	Indoor	Outdoor	Gas Side	Liquid Side	Min - Max. Length	Elevation Difference	
								Indoor H/M/L	Outdoor									
Indoor	kW	kW	Phase	A	kW	W/W	Pa	dB(A)	dB(A)	mm (H/W/D)	mm (H/W/D)	kg	kg	O.D. mm (inch)	O.D. mm (inch)	m	m	°C
Outdoor	Btu/h	Btu/h	V Hz															
CS-L72JD1R5 CU-L72JD1R8	21.0 (12.6 - 23.5) 71,650 (42,990 - 80,180)	23.5 (14.1 - 26.3) 80,180 (48,110 - 89,740)	3φ 380-415 50	11.0 12.3	6.56 (3.50 - 7.60) 7.50 (4.00 - 9.20)	3.2 3.13	180	52/50/49 52/50/49	59 59	460 1562 (+115)*1 688	1509 (+96)*2 1280 690	90	250	22.2 (7/8*)	9.52 (3/8*)	3-50	30	-10-46 -10-24

Rating Conditions

	Cooling	Heating
Inside air temperature	27°C DB/19°C WB	20°C DB/15°C WB
Outside air temperature	35°C DB/24°C WB	7°C DB/6°C WB

- Wiring cable size must comply with the applicable local and national code.
- Specifications are subject to change without notice for further improvement.
- *1 Add 115mm for power supply box.
- *2 Add 96mm for fan cover height.

Benefits

Wired Remote Controller

- 24-Hour On/Off Timer in 1 hour intervals
- Sleep Timer
- Weekly Reservation
- 3-Step Fan Speed Selection
- Room Temperature Display
- Only 20mm Thick



Wide Operation Temperature

Inverter can operate in a wide temperature range – the air conditioners can cool effectively when the outdoor temperature is 46°C and heat your room even when it is -10°C outside.

Quiet Operation & Easy Servicing

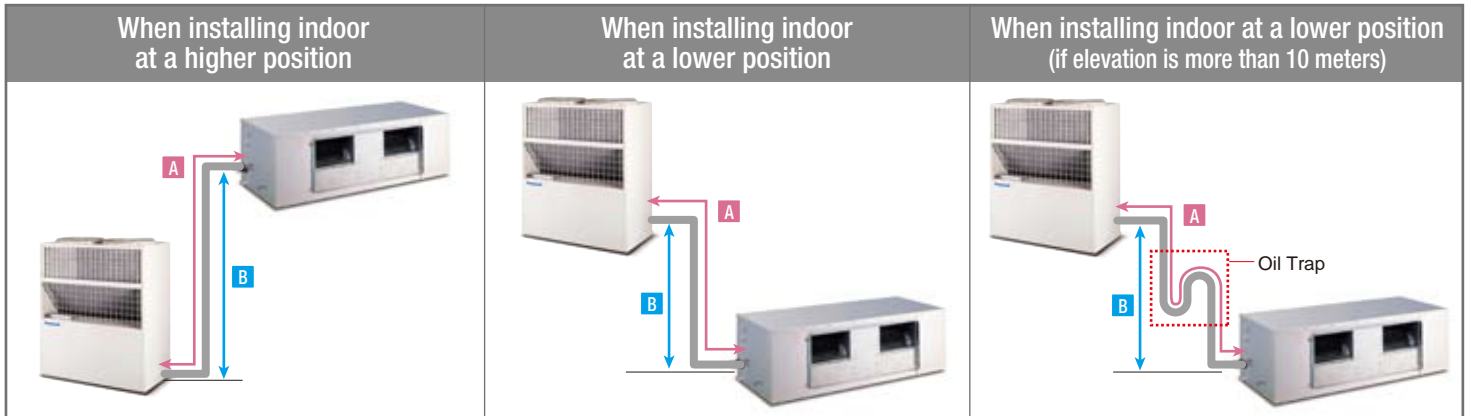
A lightweight plastic fan and housing make air conditioning operation quiet and backup servicing more convenient. The new fan housing can be easily dismantled for convenient servicing and maintenance. And the fan motor can be removed without removing the entire fan assembly.

Self-diagnosis Function

Should a malfunction occur, the unit diagnoses the problem and shows the corresponding alphanumeric code. This allows quicker servicing.

Piping Specification

A Pipe length: 3m - 50 m **B** Elevation length: 30 m • Additional refrigerant: 50g/m

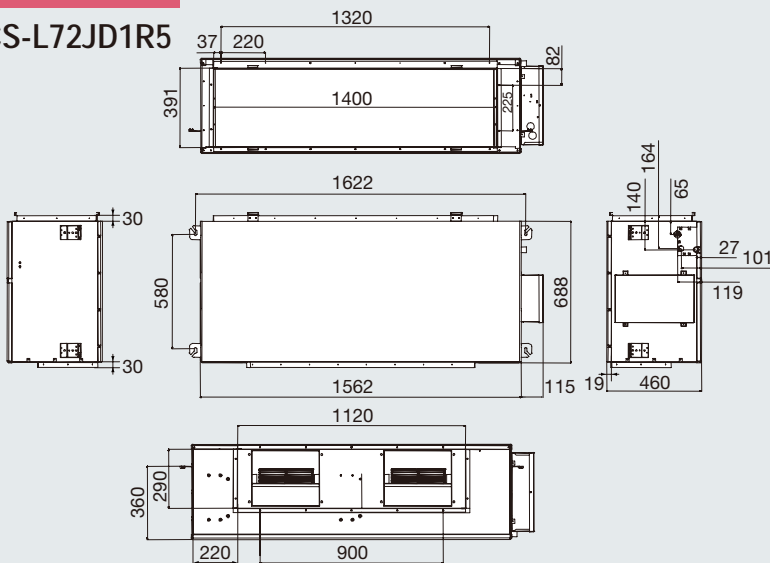


Caution: • Standard pipe length is 7.5 m. Refrigerant gas is pre-charged for 15m. Additional refrigerant is required when pipe length is extended more than 15 m.
 • If the pipe length is 50 m, 1,750g of refrigerant should be added (50-15) x 50 = 1,750 g. • Improper refrigerant charge may cause in abnormal cycle. • Oil trap should be installed every 5-7 meters.

Dimensions

Indoor unit

CS-L72JD1R5



Outdoor unit

CU-L72JD1R8

